

2F
WIOARR
AEGIA

POWER AMPLIFIERS

Welcome to Vidar 2F...or Aegir 2F! This manual covers both products. Both are true, no-excuses, linear supply, heavy-as-heck power amps. And, at the same time, both have an eye to the future, with Schiit's unique Forkbeard™ unified control system, full microprocessor management for better performance and safety. And we've even added a super-smart standby mode that cuts power consumption to just a watt or two, while keeping the amp ready for great sound. We hope you really enjoy this marriage of old and new!



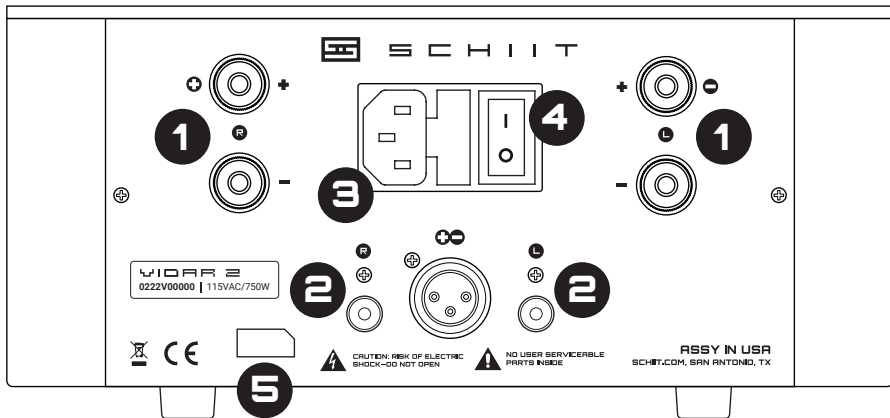
The following is required by the roughly 9,542 government agencies and regulations we have to comply with. If you have some common sense, they should seem pretty straightforward. In any case, read these instructions before proceeding farther, follow all instructions, and heed all warnings. Or else!

1. If you don't know how to install audio devices, get a qualified professional to help.
2. Never use this device near water, and clean only with a dry cloth.
3. Assure adequate ventilation, do not block any ventilation openings, or place near heat sources.
4. Use only the supplied power cord or suitable replacement. Route cords away from traffic areas and protect them from being pinched. Unplug the cord from the outlet if the apparatus is unused for a long period of time.
5. To prevent electric shock, do not use the plug with an extension cord, receptacle, or outlet unless blades can be fully inserted.
6. Refer all servicing to qualified service personnel. Service is required when the device has been damaged, including cord or plug damage, liquid has been spilled or objects have fallen into the device, the device has been exposed to rain or moisture, does not operate normally, or has been dropped.



WARNING: TO REDUCE THE RISK OF FIRE OR ELECTRIC SHOCK, DO NOT EXPOSE THIS DEVICE TO RAIN OR MOISTURE.

STEREO CONNECTION



1 Connect both left and right speakers. Right speaker to right terminals, left speaker to left terminals. Simple!

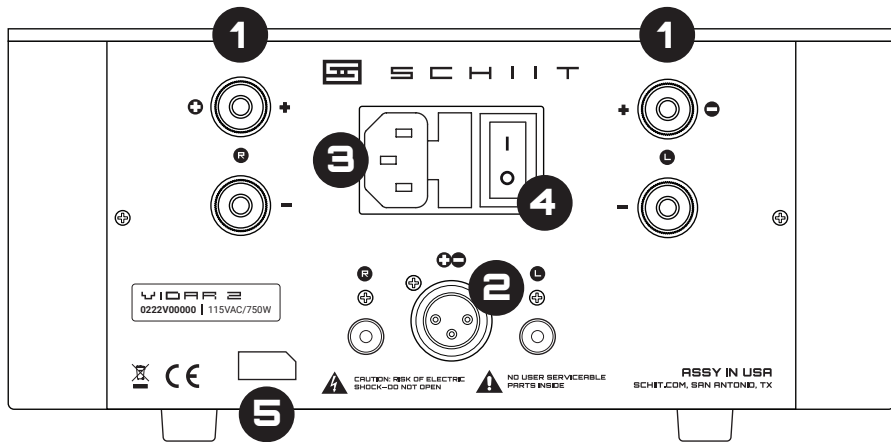
2 Connect both RCA inputs. Connect your source with RCA cables—right into the input marked “R”, and left into the input marked “L”.

3 Get powered up. Connect to a wall socket with the AC cord. Or use any IEC-type cord; ours isn't special.

4 Turn on when it's time for the music. Up is on. Down is off. Got it?

5 Plug in a Forkbeard module. See instant power output, system health, control Standby remotely, and more.

MONO CONNECTION



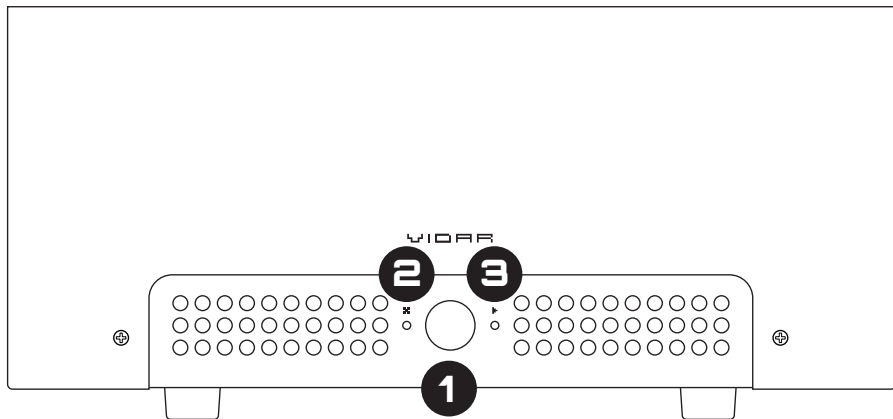
1 Connect your speaker to the two top red terminals only. Right is “+”, and left is “-”. Please note both of these are active outputs—do not ground one of them!

2 Connect a balanced source using a high-quality XLR cable. Important: it must really be balanced for maximum power.

3 Get powered up. Use the supplied AC cord, or any other fancy IEC model.

4 Turn on for tunes. Up is on. Down is off. Pretty simple. Feel free to leave the amp on all the time if you'd like. You can always put it in Standby to save power.

5 Plug in a Forkbeard module. See instant power output, system health, control Standby remotely, and more.



OPERATION

1 Press to toggle Standby mode. When the amp is in Standby mode, it only uses a couple of watts, saving power. You can leave the amp on all the time and just put it in Standby when you're not using it

2 When lit, this light indicates Standby mode. When flashing, it indicates that Vidar 2 is getting everything ready to run.*

3 When lit, this light indicates normal operation. When flashing, there's a fault. See the next section for what to do if it's flashing.

*Vidar 2 or Aegir 2 take about 30 seconds to perform self-checks when first turned on. When coming out of Standby mode, it takes about 60 seconds.

I have flashing lights. Why?

Vidar and Aegir flash their LEDs when it's first turned on, while it's measuring and self-checking for system health. They also do the same when coming out of Standby.

No I mean I have lights and no sound.

Aha. Vidar and Aegir continuously self-monitor for all faults, including overcurrent, over-temperature, and DC. If they detect a fault, they'll flash the front LEDs. You should turn off the amp and check your system for faults, such as shorted speaker cables.

How do I avoid faults?

If you're using the optional Forkbeard module, you'll have real-time display of power output, overcurrent, over-temperature, and fan status. That's the best way to see what's going on with your system.

How about if I don't have Forkbeard?

Don't panic; almost every amp fault will be caused by one of three things:

1. Heat. Make sure there's plenty of ventilation around your amp, and that the room is cool. If you like your room hot

(above 80 degrees F), you may run into thermal protection more often. You may also run into thermal protection when running mono into difficult speaker loads.

2. Overcurrent. Check to make sure your speaker cables aren't shorted. Also, if you're running in mono into difficult loads at very high volumes, you may run into protection.

3. DC. Make sure your preamp or DAC is not feeding DC to the amp. The amp will auto-correct DC up to a point, but if there's too much, it'll go into protection.

I have hum. Why?

If you're getting hum from your speakers, you should look into ground loops. Vidar and Aegir are very quiet amplifiers. There are commercial products that help mitigate ground loops.

No I mean I hear hum from the amp.

A small amount of transformer hum is normal in large speaker amps, especially ones with big transformers like these. It shouldn't be audible from your listening chair.

WARRANTY

Schiit Audio warrants to the original purchaser that this product shall be free from defects in material and workmanship for five (5) years from the date of purchase. If a defect covered by this warranty occurs during this period, Schiit Audio will repair the defective product, free of charge. Date of purchase will be based on customer receipts, otherwise date of manufacturing will be used.

If you believe you need warranty service, contact us first. Schiit Audio products sent back to us without a Return Authorization (RA) will be returned to the sender without repair. To contact us and obtain an RA, email info@schiiit.com.

Warranty Limitations. This warranty shall not apply if a product: (a) is modified or tampered with; (b) is damaged by negligence, accident, unreasonable use, or other causes unrelated to defective materials or workmanship, or (c) has had the serial number altered or removed.

Any implied warranties, including warranties of merchantability and fitness for a particular purpose, are hereby limited in duration to the warranty period of 5 years. In no event shall Schiit Audio be liable for consequential or incidental damages resulting from the breach of any implied or expressed warranties. Some states do not allow these limitations, so they may not apply to you. You may also have other rights which vary from state to state or province to province.

IN THE BOX

- (1) Vidar 2F or Aegir 2F
- (1) Power Cord
- (1) Forkbeard Module (if you ordered it)
- (0) Class D modules
- (0) Switching supplies
- (Various) Stickers and stuff
- (Infinite) Appreciation from the whole Schiit crew in San Antonio and Corpus Christi, TX
- (Even more) Thanks from our chassis and PCB guys in California, Nevada, and Utah.



This product is in compliance with standards and regulations of the European Community.



FORKBEARD
ENABLED

SCHIIT.COM
INFO@SCHIIT.COM

